



Leaded Multilayer Ceramic Capacitors

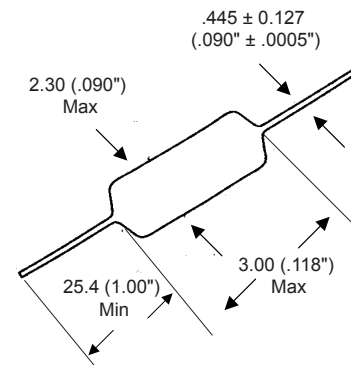
SA Series SpinGuard® Specifications

Part Number Determination

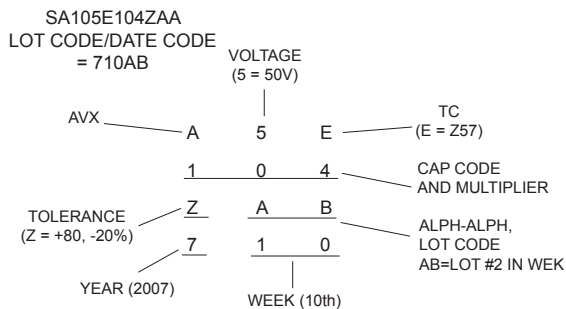
SA105E104ZAR						
SA10	5	E	104	Z	A	R
STYLE	VOLTAGE	TEMPERATURE COEFFICIENT	CAPACITANCE	TOLERANCE	FAILURE RATE	LEADS
SA05 SA10 SA11 SA20 SA30 SA40	Z=10V 5=50V 1=100V 2=200V	A=NPO C=X7R D=X5R E=Z5U	2 Significant digits + 1 multiplier 104=0.1uF	C=±.25pF D=±0.5pF F=±1% G=±2% J=±5% K=±10% M=±20% Z=+80-20%	A=Not Applicable	R=RoHS Compliant A=Sn/Pb

Package Dimensions (mm/in)

AVX STYLE	SA05	SA10	SA11	SA30	SA40
Length (L)	3.00 (.118")	4.32 (.170")	4.32 (.170")	7.37 (.290")	10.16 (.400")
Diameter (D)	2.30 (.090")	2.54 (.100")	3.05 (.120")	3.81 (.150")	3.81 (.150")
Lead Diameter	.445 (.0175")	.445 (.0175")	.445 (.0175")	.445 (.0175")	.445 (.0175")
Lead Length	25.4 (1.00")	25.4 (1.00")	25.4 (1.00")	25.4 (1.00")	25.4 (1.00")



Marking SA10



Marking SA05

